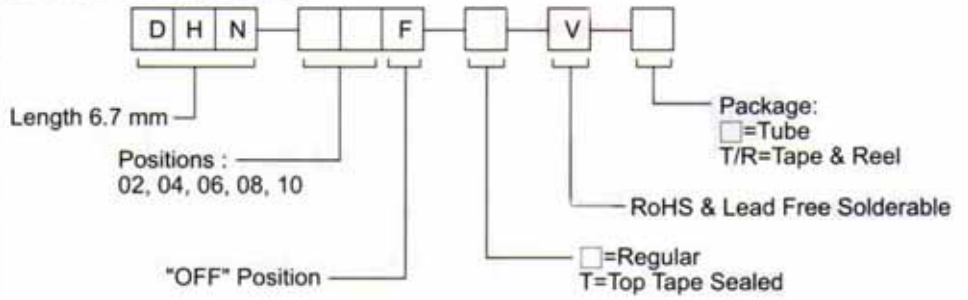


## HOW TO ORDER



Precaution : For quality assurance, please operate actuators carefully to avoid any damage.

※DHN Series will be available from Jul. 2008.

## SPECIFICATION

### MECHANICAL

Mechanical Life: 1000 operations.  
 Operation Force: 500gf  
 Stroke: 0.6mm

### ENVIRONMENTAL

Operation Temperature Range: -40° C to +85° C.  
 Storage Temperature Range: -40° C to +85° C.

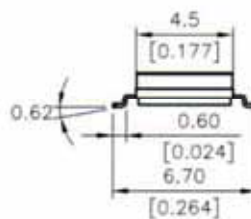
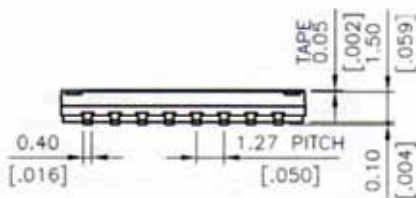
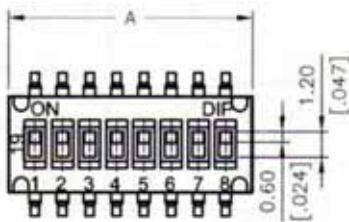
### ELECTRICAL

Electrical Life: 1000 operation cycles  
 Non-Switching Rating: 100mA, 50VDC.  
 Switching Rating: 25mA, 24VDC.

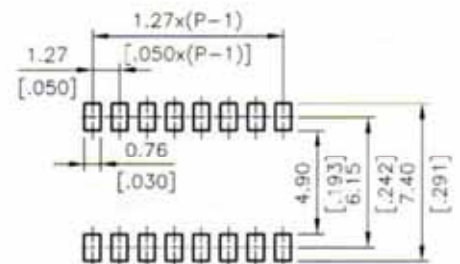
### PACKAGE

DHN-02(-T): 125 pcs/tube  
 DHN-04(-T): 75 pcs/tube  
 DHN-06(-T): 54 pcs/tube  
 DHN-08(-T): 40 pcs/tube  
 DHN-10(-T): 33 pcs/tube  
 Tape and Reel: DHN series: 4000 pcs/reel

## DHN



DHN-10-V	10	13.93[.548]
DHN-08-V	8	11.39[.448]
DHN-06-V	6	8.85[.348]
DHN-04-V	4	6.31[.248]
DHN-02-V	2	3.77[.148]
PROD. NO.	NO. OF POS.	DIM. A



## P.C.B. LAYOUT

General Tolerance: ±0.2mm(±0.008")