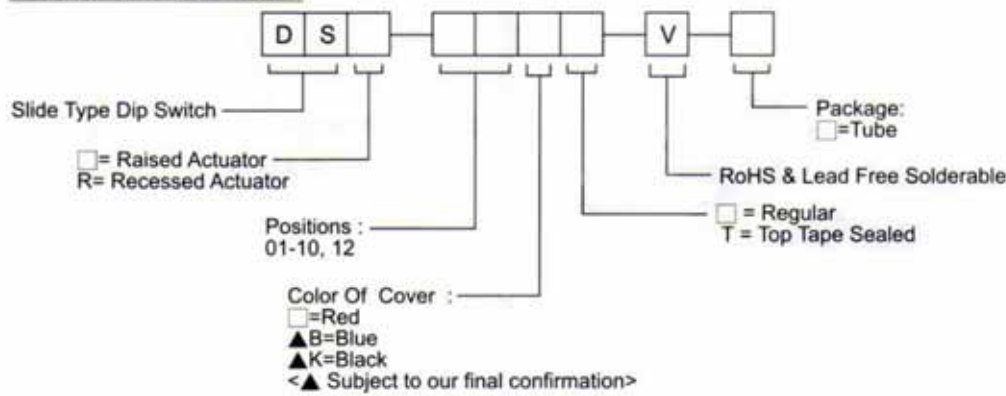


HOW TO ORDER



SPECIFICATION

MECHANICAL

Mechanical Life : 2,000 operations
Operation Force: 1,000gf max.
Stroke: 2.0mm

ENVIRONMENTAL

Operation Temperature: -20°C to +70°C
Storage Temperature: -40°C to +85°C

ELECTRICAL

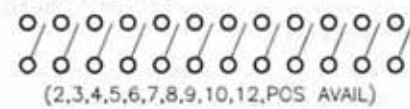
Electrical Life: 2,000 operations
Non-Switching Rating: 100mA , 50VDC
Switching Rating: 25mA , 24VDC

PACKAGE

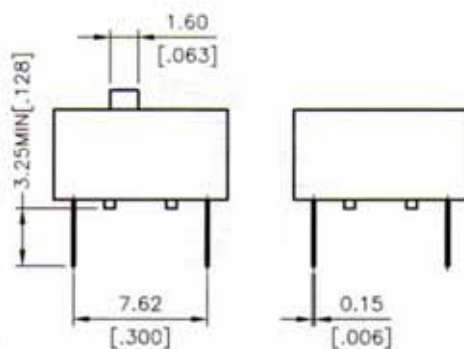
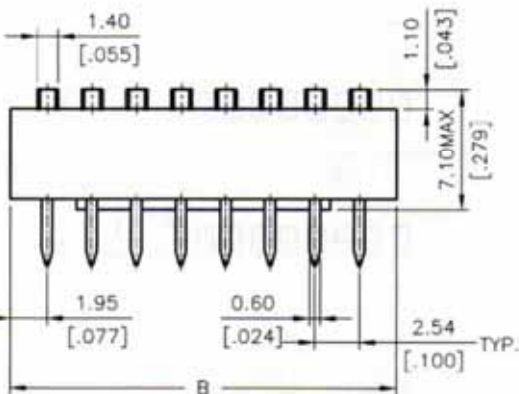
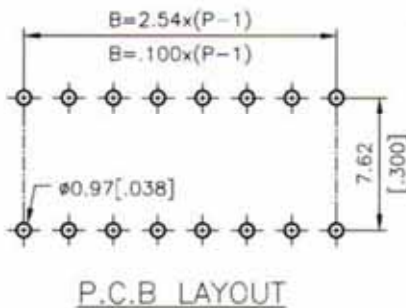
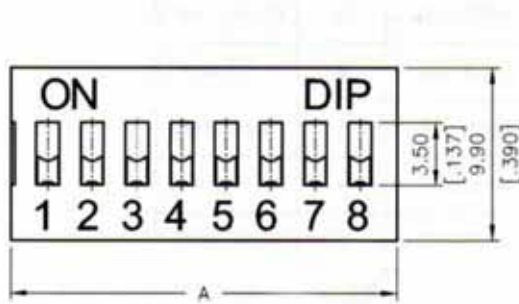
DS(R)-01: 125 pcs/tube	DS(R)-01-T: 125 pcs/tube
DS(R)-02: 72 pcs/tube	DS(R)-02-T: 70 pcs/tube
DS(R)-03: 51 pcs/tube	DS(R)-03-T: 50 pcs/tube
DS(R)-04: 40 pcs/tube	DS(R)-04-T: 39 pcs/tube
DS(R)-05: 32 pcs/tube	DS(R)-05-T: 32 pcs/tube
DS(R)-06: 27 pcs/tube	DS(R)-06-T: 28 pcs/tube
DS(R)-07: 24 pcs/tube	DS(R)-07-T: 24 pcs/tube
DS(R)-08: 21 pcs/tube	DS(R)-08-T: 21 pcs/tube
DS(R)-09: 19 pcs/tube	DS(R)-09-T: 19 pcs/tube
DS(R)-10: 17 pcs/tube	DS(R)-10-T: 17 pcs/tube
DS(R)-12: 14 pcs/tube	DS(R)-12-T: 14 pcs/tube

CIRCUIT

SCHEMATIC(TYP.)



DS(R)



DS SERIES

DSR SERIES

DS-12-V	12	31.84	27.94
DSR-12-V		[1.254]	[1.100]
DS-10-V	10	26.76	22.86
DSR-10-V		[1.054]	[.900]
DS-09-V	9	24.22	20.32
DSR-09-V		[.954]	[.800]
DS-08-V	8	21.68	17.78
DSR-08-V		[.854]	[.700]
DS-07-V	7	19.14	15.24
DSR-07-V		[.754]	[.600]
DS-06-V	6	16.60	12.70
DSR-06-V		[.654]	[.500]
DS-05-V	5	14.06	10.16
DSR-05-V		[.554]	[.400]
DS-04-V	4	11.52	7.62
DSR-04-V		[.454]	[.300]
DS-03-V	3	8.98	5.08
DSR-03-V		[.354]	[.200]
DS-02-V	2	6.44	2.54
DSR-02-V		[.254]	[.100]
DS-01-V	1	3.90	-
DSR-01-V		[.153]	
PROD. NO.	NO. OF POS.	DIM. A	DIM. B