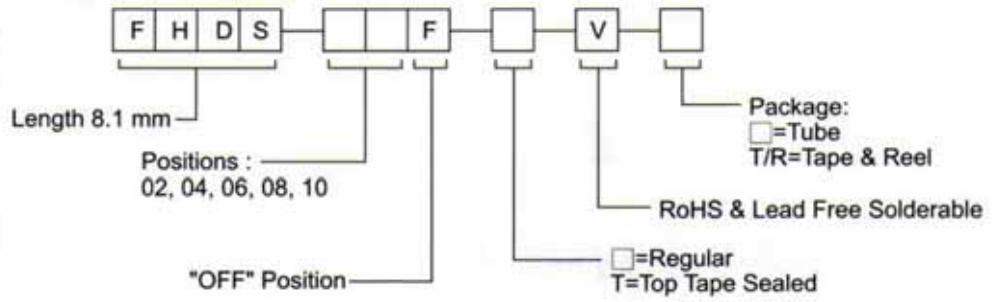


## HOW TO ORDER



Precaution : For quality assurance, please operate actuators carefully to avoid any damage.

※FHDS Series will be available until Jun. 2008.

## SPECIFICATION

### MECHANICAL

Mechanical Life: 1000 operations.  
 Operation Force: 500gf  
 Stroke: 0.6mm

### ENVIRONMENTAL

Operation Temperature Range: -40°C to +85°C.  
 Storage Temperature Range: -40°C to +85°C.

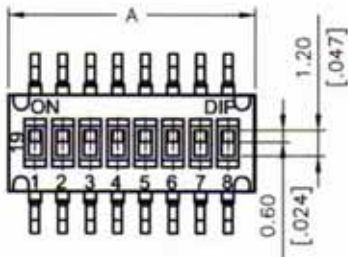
### ELECTRICAL

Electrical Life: 1000 operation cycles  
 Non-Switching Rating: 100mA, 50VDC.  
 Switching Rating: 25mA, 24VDC.

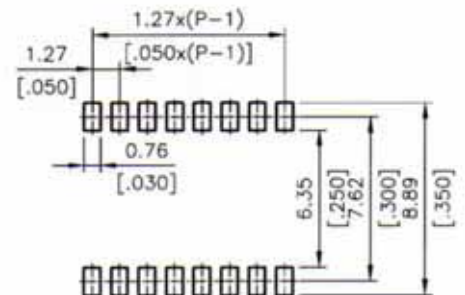
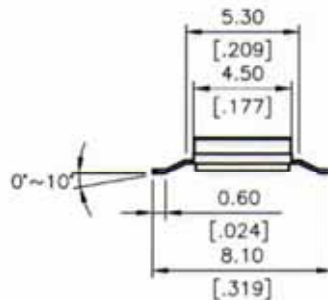
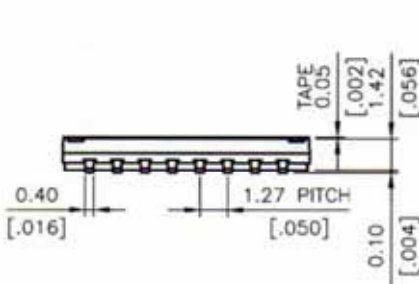
### PACKAGE

FHDS-02(-T): 125 pcs/tube  
 FHDS-04(-T): 75 pcs/tube  
 FHDS-06(-T): 54 pcs/tube  
 FHDS-08(-T): 40 pcs/tube  
 FHDS-10(-T): 33 pcs/tube  
 Tape and Reel: FHDS series: 2500 pcs/reel

## FHDS



FHDS-10-V	10	13.93 [.548]
FHDS-08-V	8	11.39 [.448]
FHDS-06-V	6	8.85 [.348]
FHDS-04-V	4	6.31 [.248]
FHDS-02-V	2	3.77 [.148]
PROD. NO.	NO. OF POS.	DIM. A



P.C.B. LAYOUT