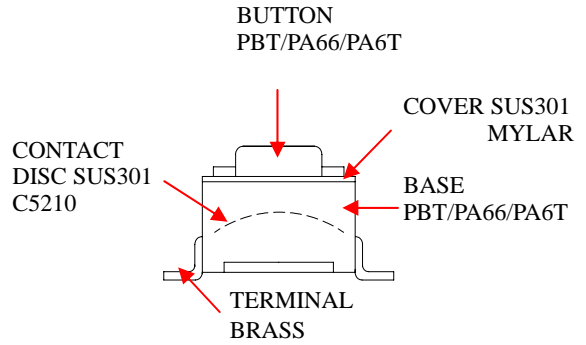




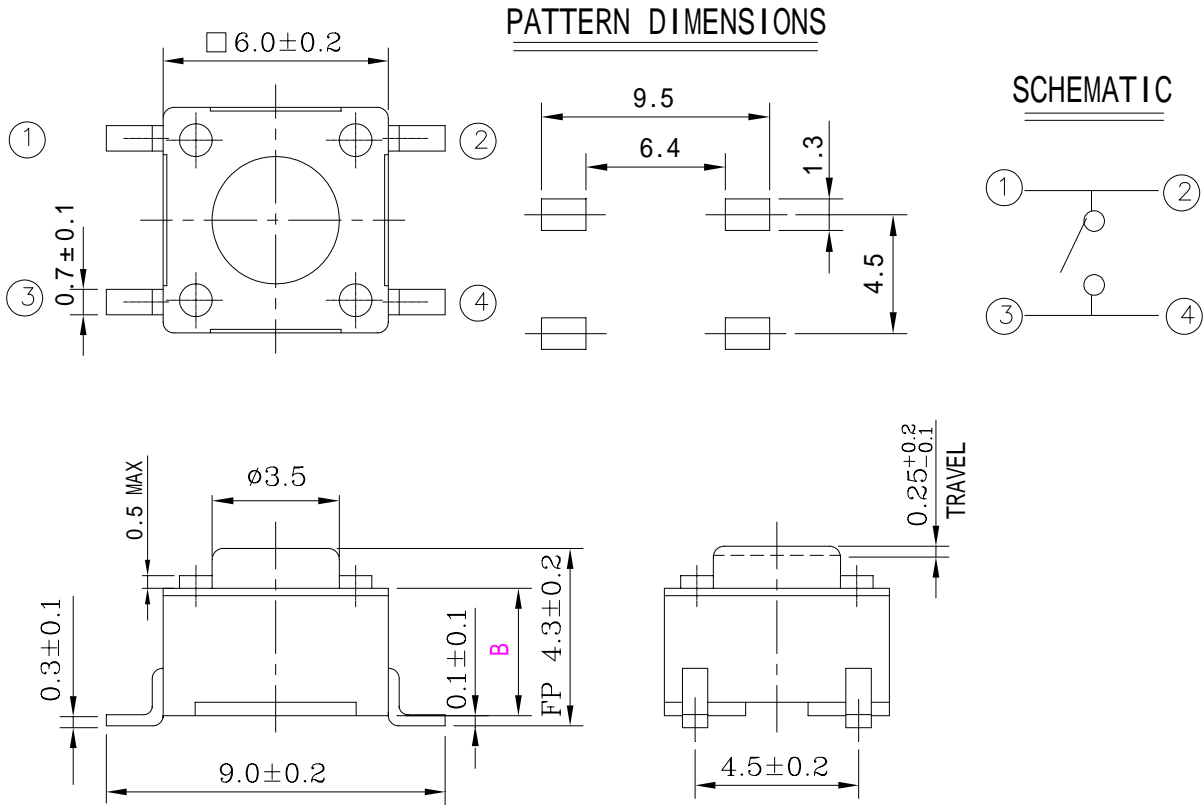
TS Series TACT SWITCH

MATERIALS



TS-01M(S) - * -6 - ***

DIMENSION DRAWING



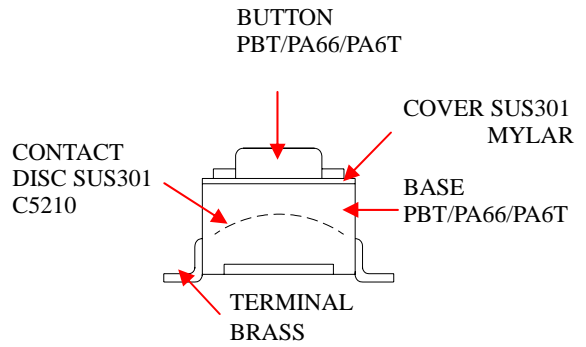
PART NO.	B =
TS-01M-***	3.20
TS-01MS-***	3.15

operating force	70 ± 20	100 ± 40	130 ± 40	160 ± 50	170 ± 50	250 ± 60
-----------------	---------	----------	----------	----------	----------	----------



TS Series TACT SWITCH

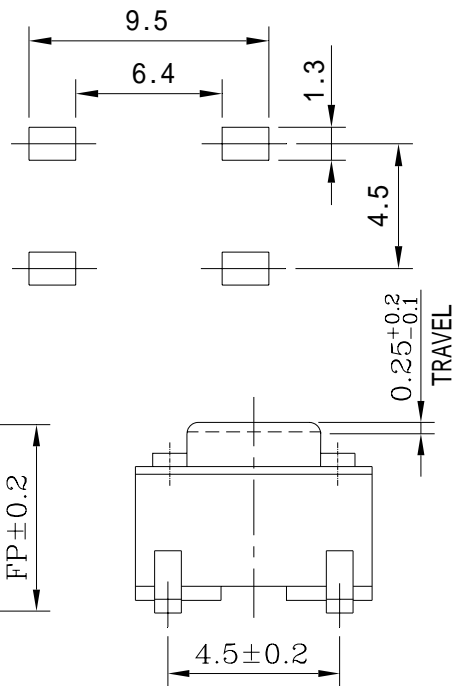
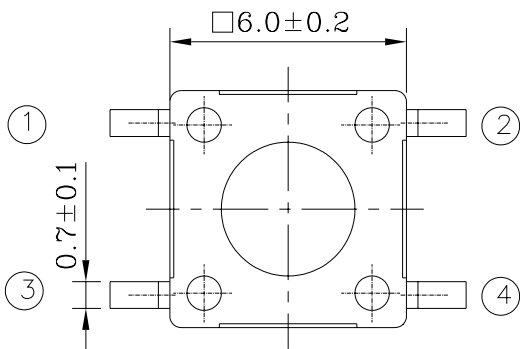
MATERIALS



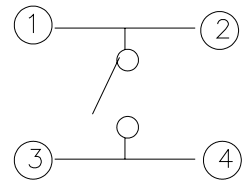
TS-***M(S)-***-6-*

DIMENSION DRAWING

PATTERN DIMENSIONS



SCHEMATIC



PART NO.	B
TS-XXM-***	3.55
TS-XXMS-***	3.5

operating force	70 ± 20	100 ± 40	130 ± 40	160 ± 50	170 ± 50	250 ± 60
-----------------	---------	----------	----------	----------	----------	----------

MODEL	TS-02M(S)	TS-03M(S)	TS-04M(S)	TS-07M(S)	TS-08M(S)	TS-09M(S)	TS-10M(S)	TS-11M(S)	TS-12M(S)	TS-13M(S)	TS-14M(S)
FP	5.0	7.0	9.5	6.3	12.0	7.9	13.0	5.7	4.2	17.0	5.5