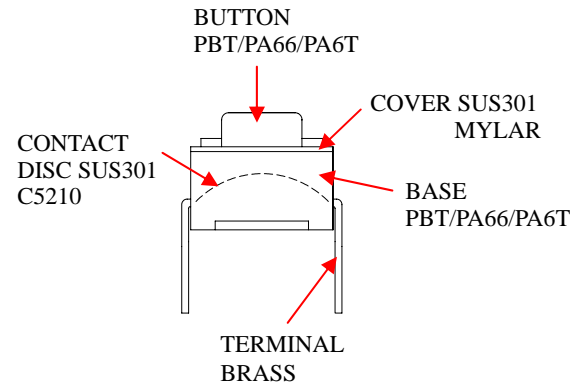




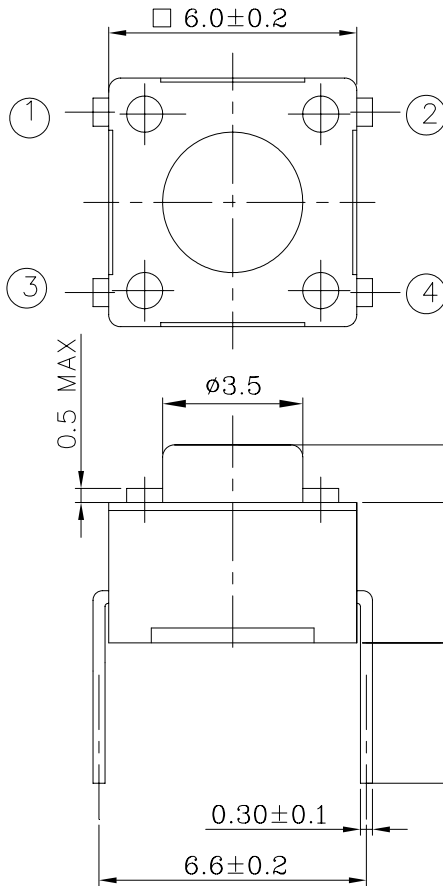
TS Series TACT SWITCH

MATERIALS

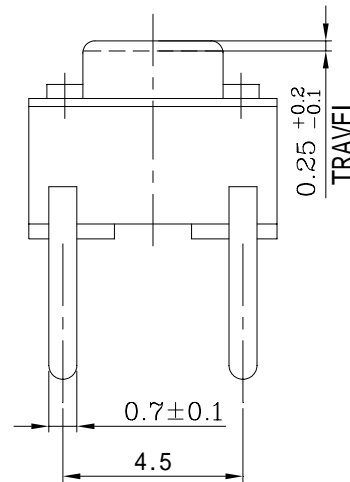
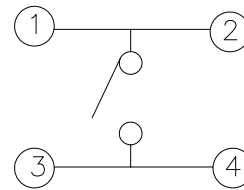


TS-01D(S)-***-6-*

DIMENSION DRAWING



SCHEMATIC



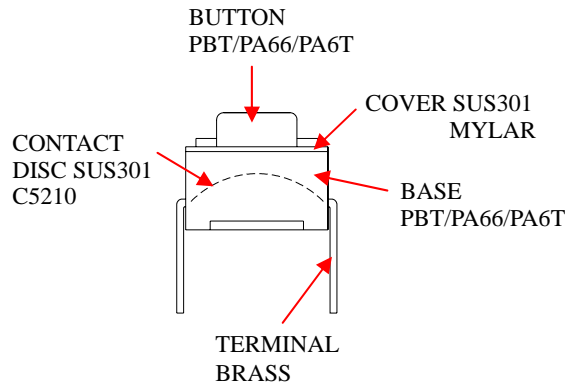
PART NO.	B =
TS-01D-***	3.20
TS-01DS-***	3.15

operating force	70 ± 20	100 ± 40	130 ± 40	160 ± 50	170 ± 50	250 ± 60
-----------------	---------	----------	----------	----------	----------	----------



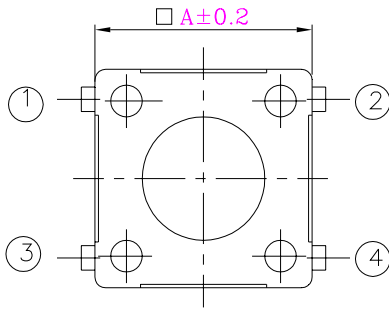
TS Series TACT SWITCH

MATERIALS

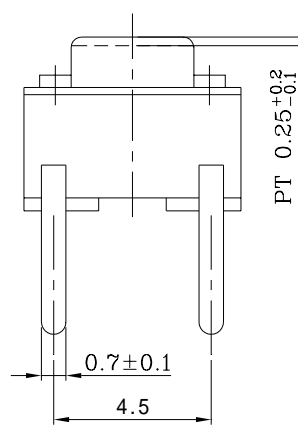
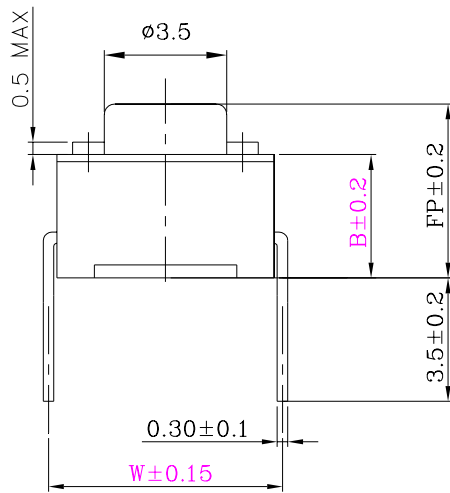
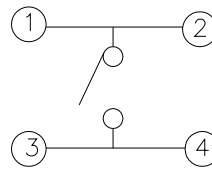


TS-**D(S)-***-*

DIMENSION DRAWING



SCHEMATIC



PART NO.	A	W
TS-XXD(S)-*-6	6.0	6.60
TS-XXD(S)-*	6.2	6.65

PART NO.	B
TS-XXD-***	3.55
TS-XXDS-***	3.5

operating force	70 ± 20	100 ± 40	130 ± 40	160 ± 50	170 ± 50	250 ± 60
-----------------	---------	----------	----------	----------	----------	----------

MODEL	TS-02D(S)	TS-03D(S)	TS-04D(S)	TS-07D(S)	TS-08D(S)	TS-09D(S)	TS-10D(S)	TS-11D(S)	TS-12D(S)	TS-13D(S)	TS-14D(S)
FP	5.0	7.0	9.5	6.3	12.0	7.9	13.0	5.7	4.2	17.0	5.5