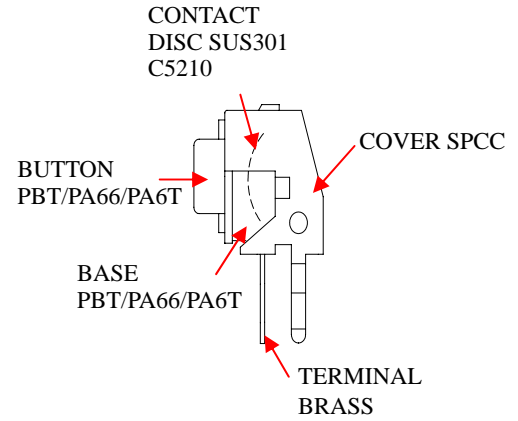




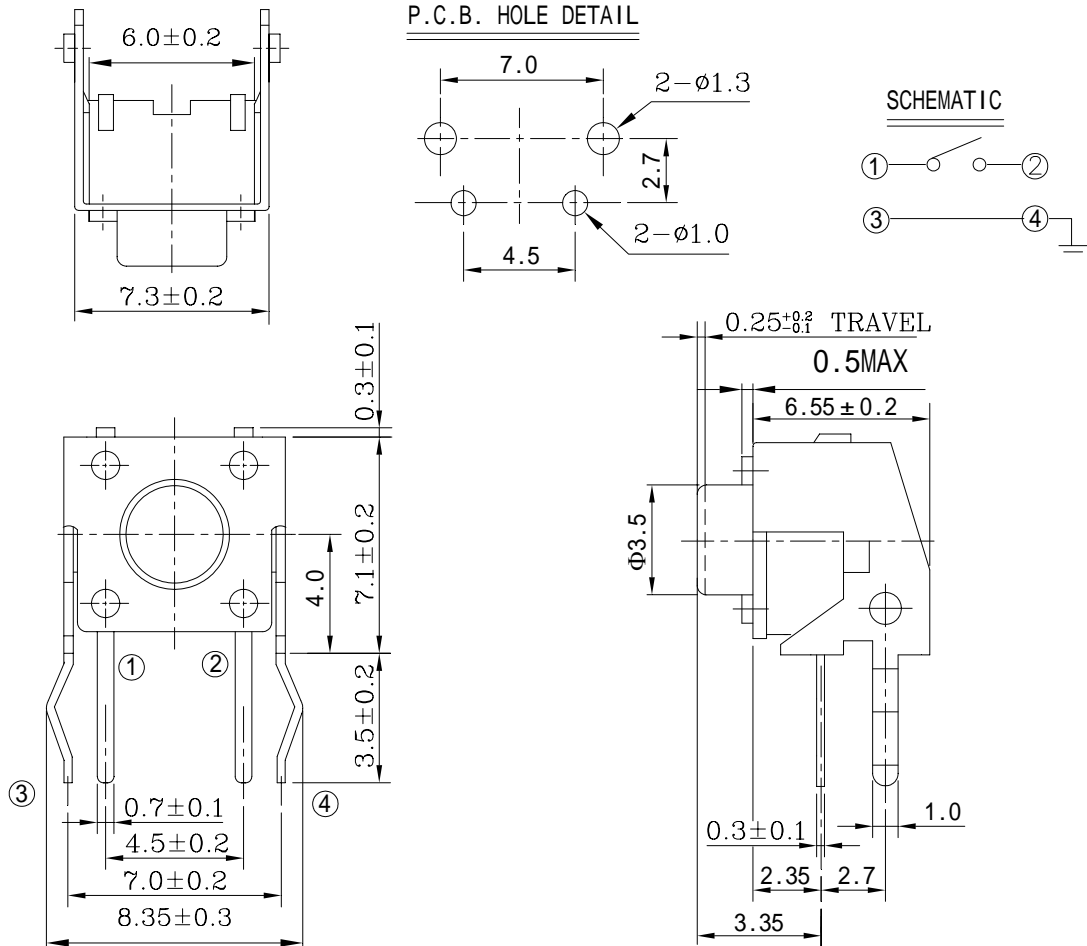
TS Series TACT SWITCH

MATERIALS



TS-01PV-***-6-*

DIMENSION DRAWING

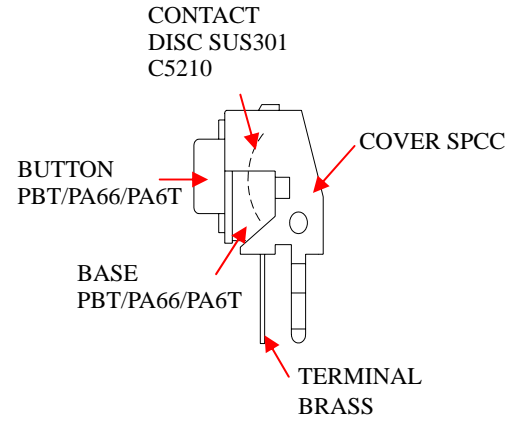


0F	70 ± 20	100 ± 40	130 ± 40	160 ± 50	170 ± 50	250 ± 60
----	---------	----------	----------	----------	----------	----------



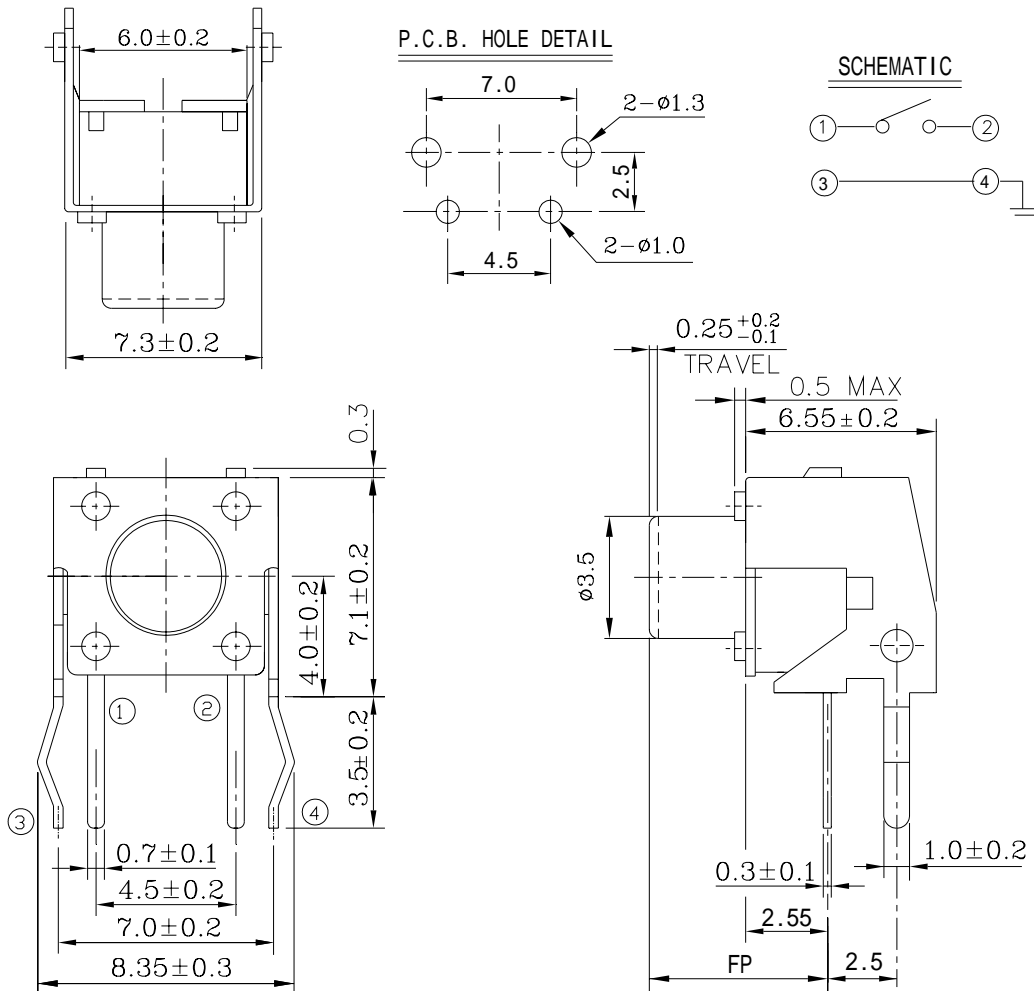
TS Series TACT SWITCH

MATERIALS



TS-**PV-***-6-*

DIMENSION DRAWING



0F	70 ± 20	100 ± 40	130 ± 40	160 ± 50	170 ± 50	250 ± 60
----	---------	----------	----------	----------	----------	----------

PART NO.	TS-02PV	TS-03PV	TS-04PV	TS-07PV	TS-08PV	TS-09PV	TS-10PV
FP	3.85	5.85	8.35	5.15	10.85	6.75	11.85