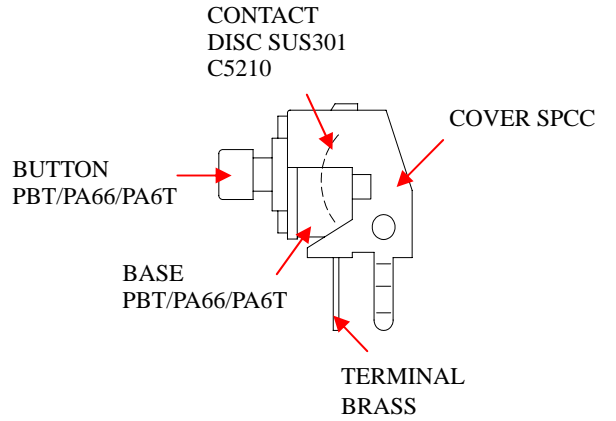




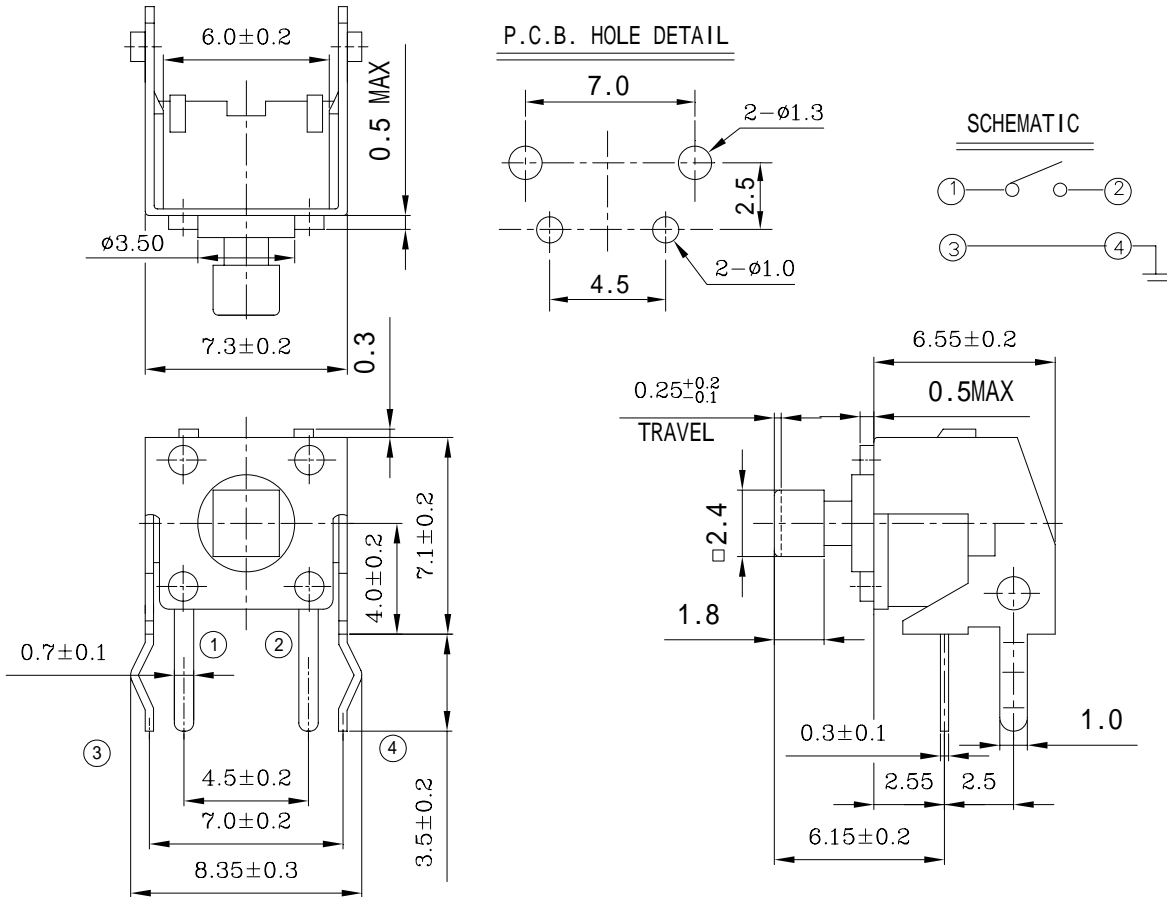
TS Series TACT SWITCH

MATERIALS



TS-05PV-*-6-***

DIMENSION DRAWING



| | | | | | | |
|----|---------|----------|----------|----------|----------|----------|
| 0F | 70 ± 20 | 100 ± 40 | 130 ± 40 | 160 ± 50 | 170 ± 50 | 250 ± 60 |
|----|---------|----------|----------|----------|----------|----------|