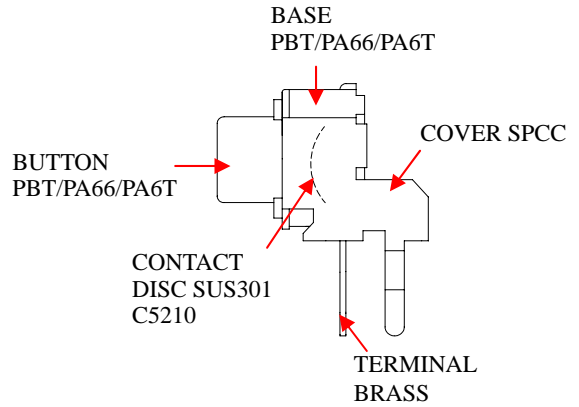




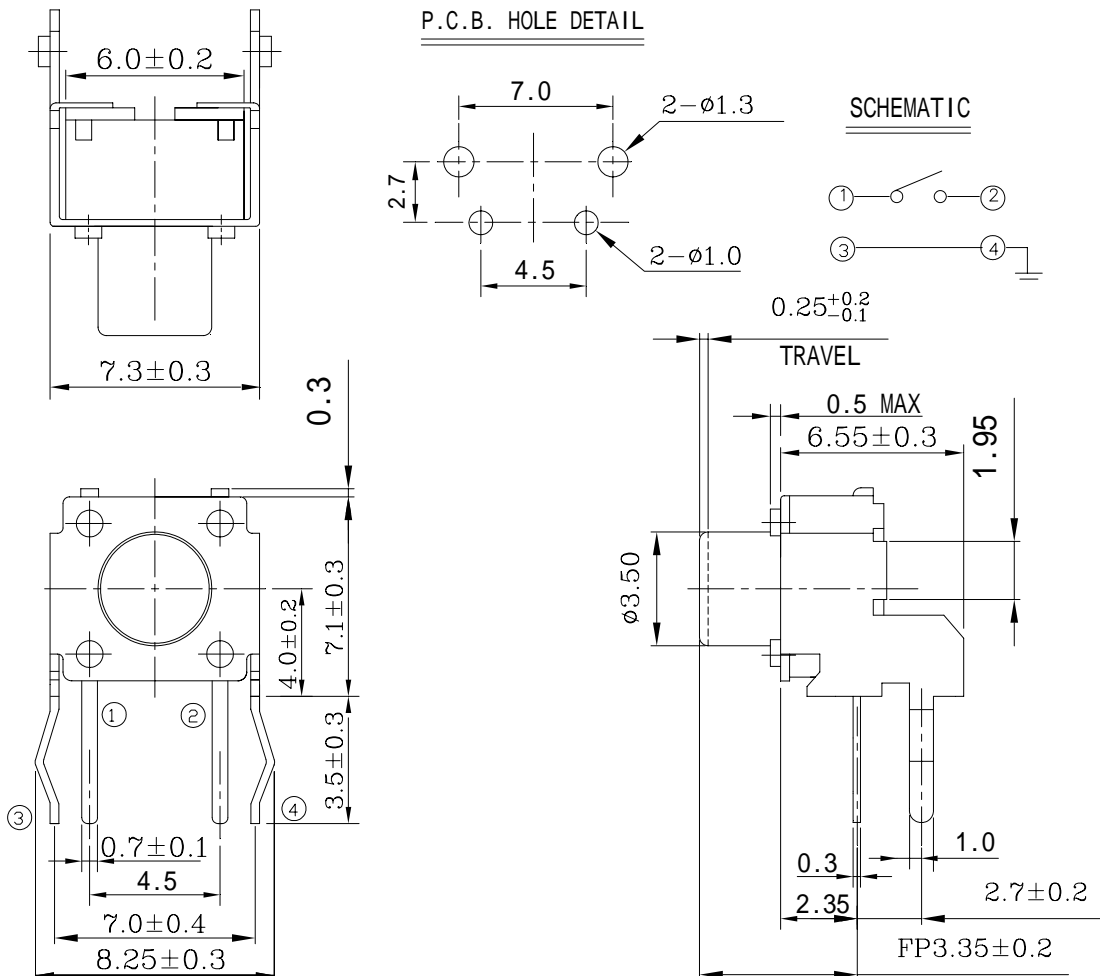
TS Series TACT SWITCH

MATERIALS



TS-01PV2-*- 6- ***

DIMENSION DRAWING

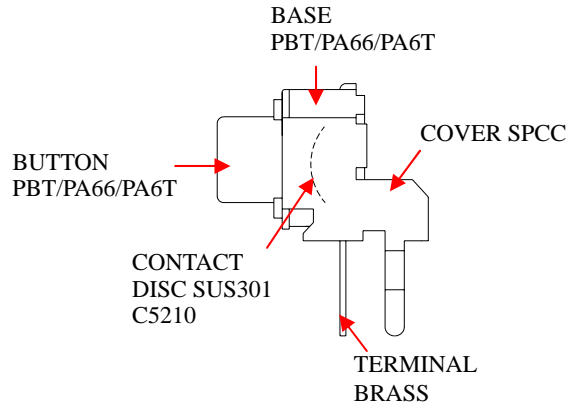


OF	70 ± 20	100 ± 40	130 ± 40	160 ± 50	170 ± 50	250 ± 60
----	---------	----------	----------	----------	----------	----------



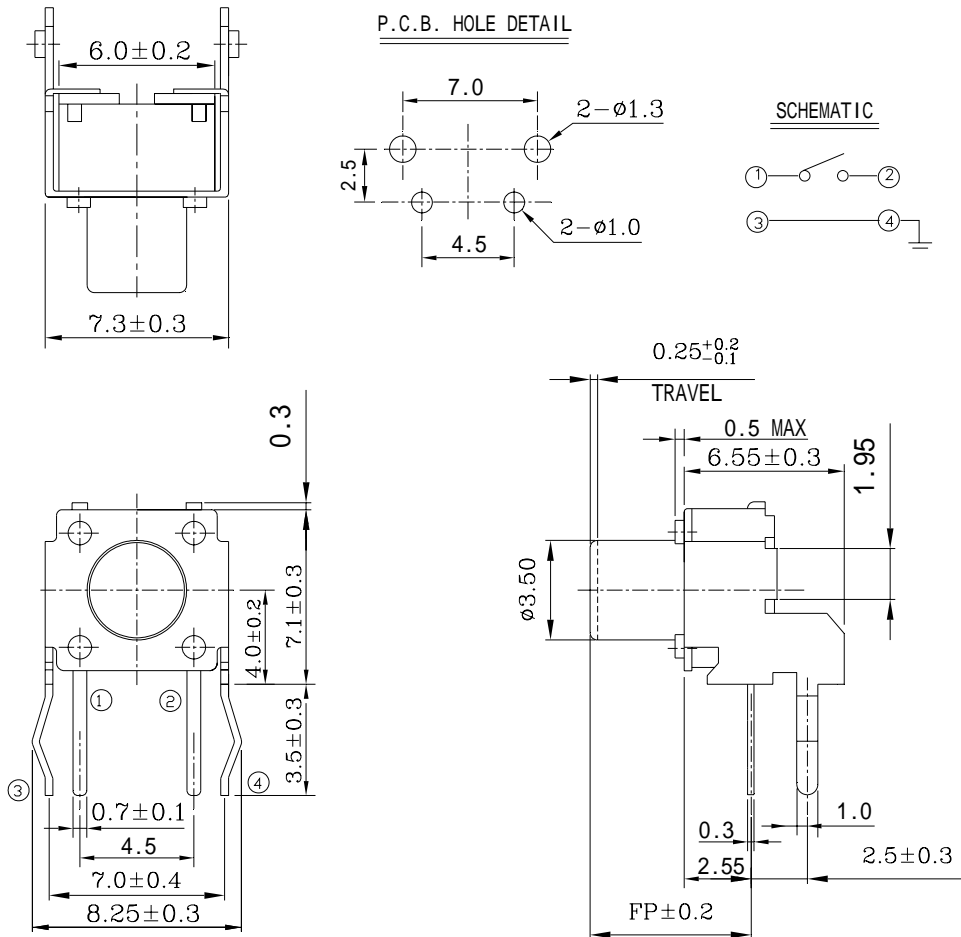
TS Series TACT SWITCH

MATERIALS



TS-**PV2-***- 6- *

DIMENSION DRAWING



OF	70 \pm 20	100 \pm 40	130 \pm 40	160 \pm 50	170 \pm 50	250 \pm 60
----	-------------	--------------	--------------	--------------	--------------	--------------

PART NO.	TS-02PV2	TS-03PV2	TS-04PV2	TS-07PV2	TS-08PV2	TS-09PV2	TS-10PV2
FP	3.85	5.85	8.35	5.15	10.85	6.75	11.85