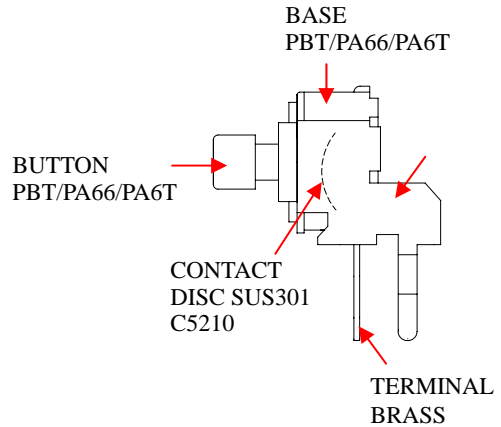




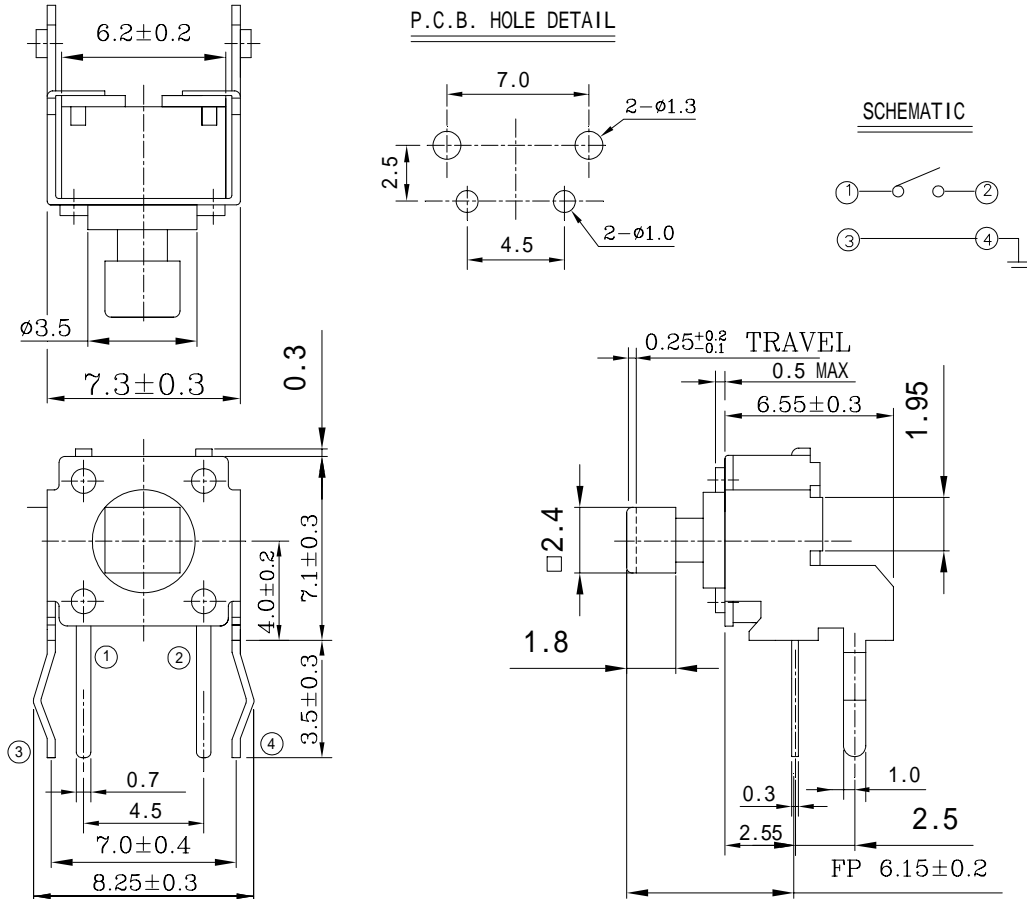
TS Series TACT SWITCH

MATERIALS



TS-05PV2-***-6-*

DIMENSION DRAWING



OF	70 \pm 20	100 \pm 40	130 \pm 40	160 \pm 50	170 \pm 50	250 \pm 60
----	-------------	--------------	--------------	--------------	--------------	--------------