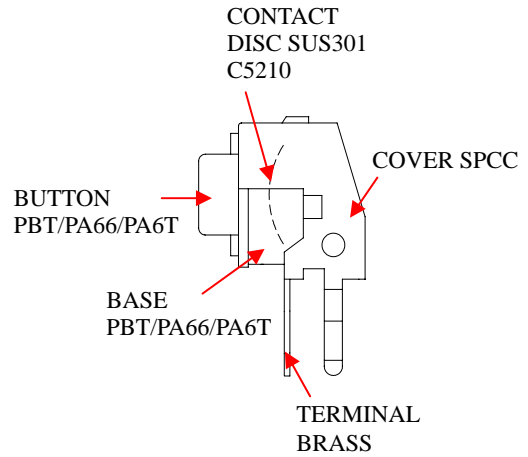




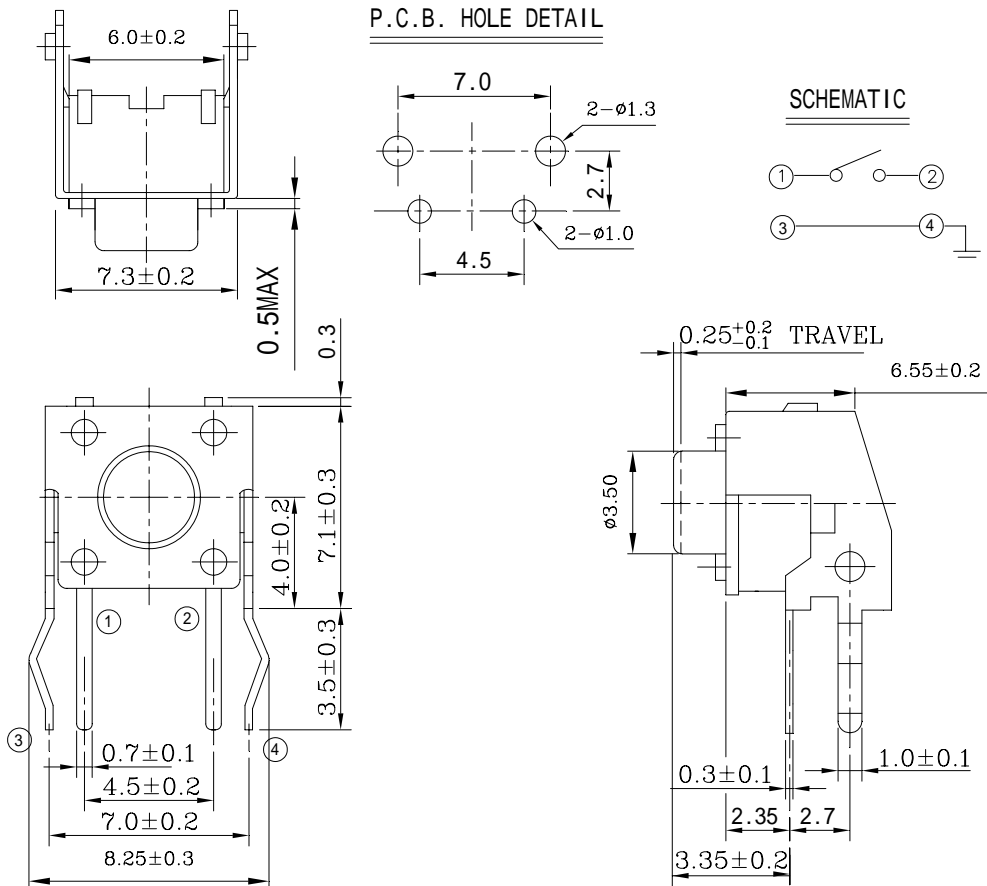
TS Series TACT SWITCH

MATERIALS



TS-01PV5-*-6-***

DIMENSION DRAWING

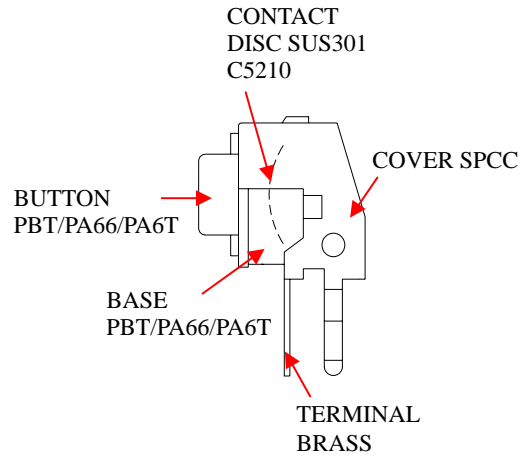


0F	70 ± 20	100 ± 40	130 ± 40	160 ± 50	170 ± 50	250 ± 60
----	---------	----------	----------	----------	----------	----------



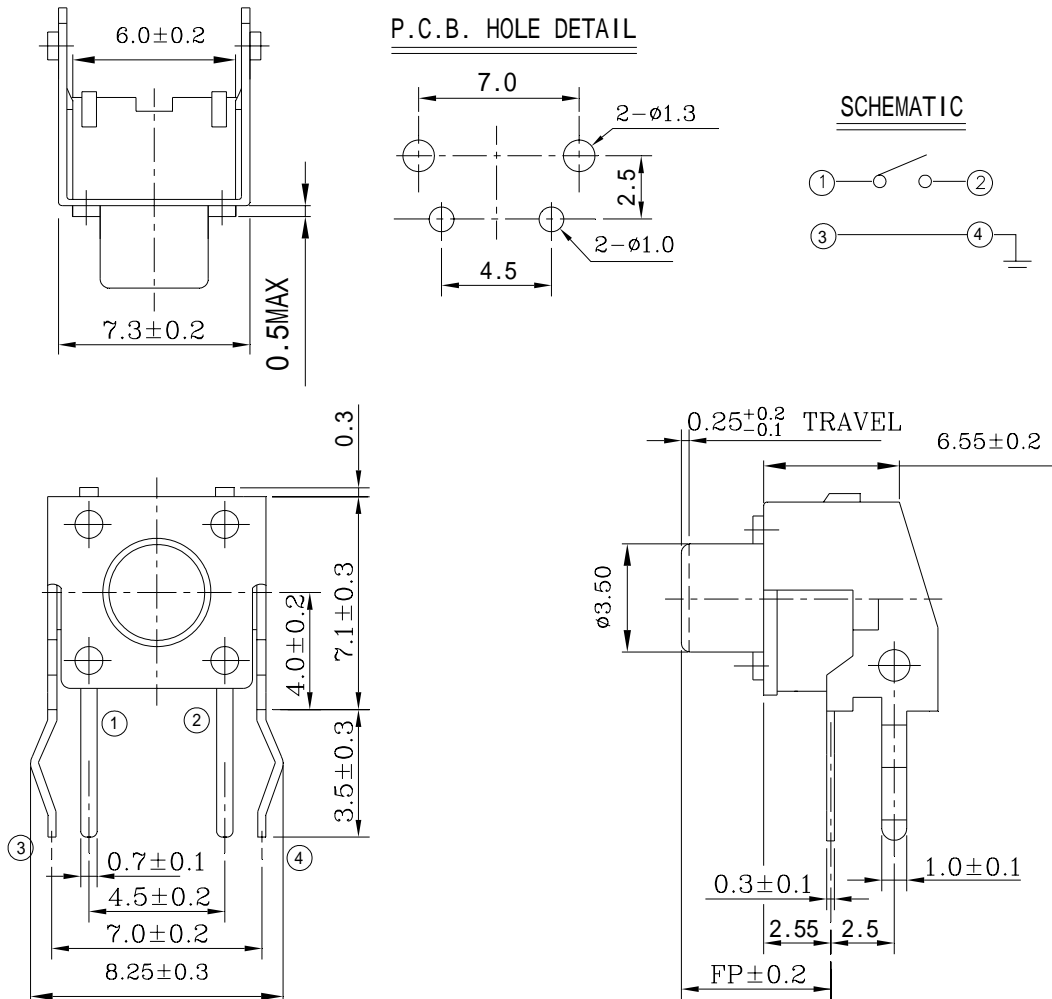
TS Series TACT SWITCH

MATERIALS



TS-**PV5-***- 6- *

DIMENSION DRAWING



OF	70 \pm 20	100 \pm 40	130 \pm 40	160 \pm 50	170 \pm 50	250 \pm 60
----	-------------	--------------	--------------	--------------	--------------	--------------

PART NO.	TS-02PV5	TS-03PV5	TS-04PV5	TS-07PV5	TS-08PV5	TS-09PV5	TS-10PV5
FP	3.85	5.85	8.35	5.15	10.85	6.75	11.85