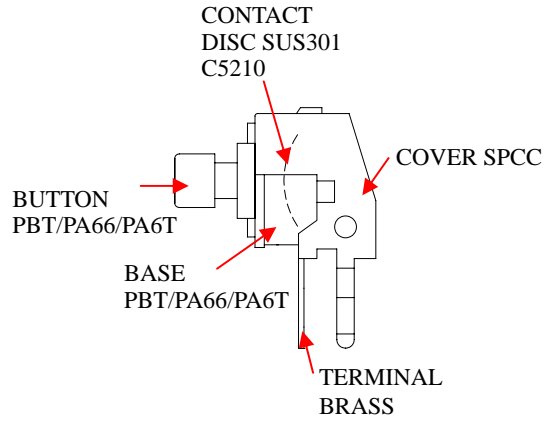




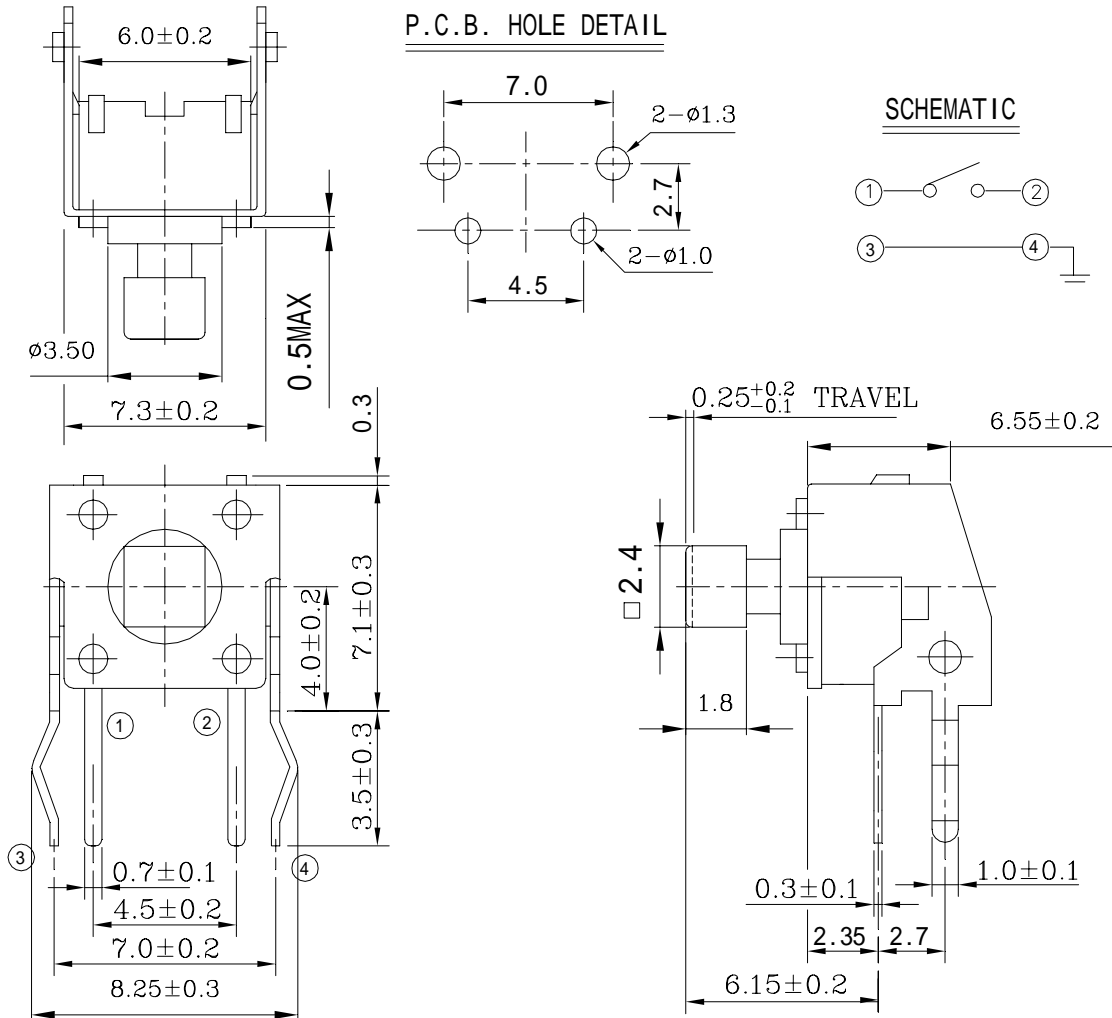
**TS Series TACT SWITCH**

**MATERIALS**



**TS-05PV5-\*\*\*-6-\***

**DIMENSION DRAWING**



OF	70 ± 20	100 ± 40	130 ± 40	160 ± 50	170 ± 50	250 ± 60
----	---------	----------	----------	----------	----------	----------