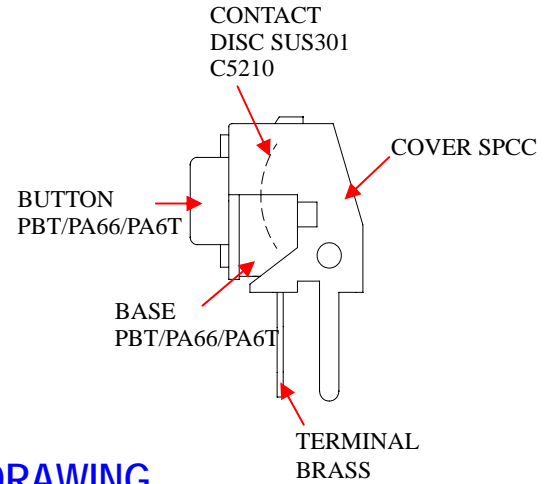




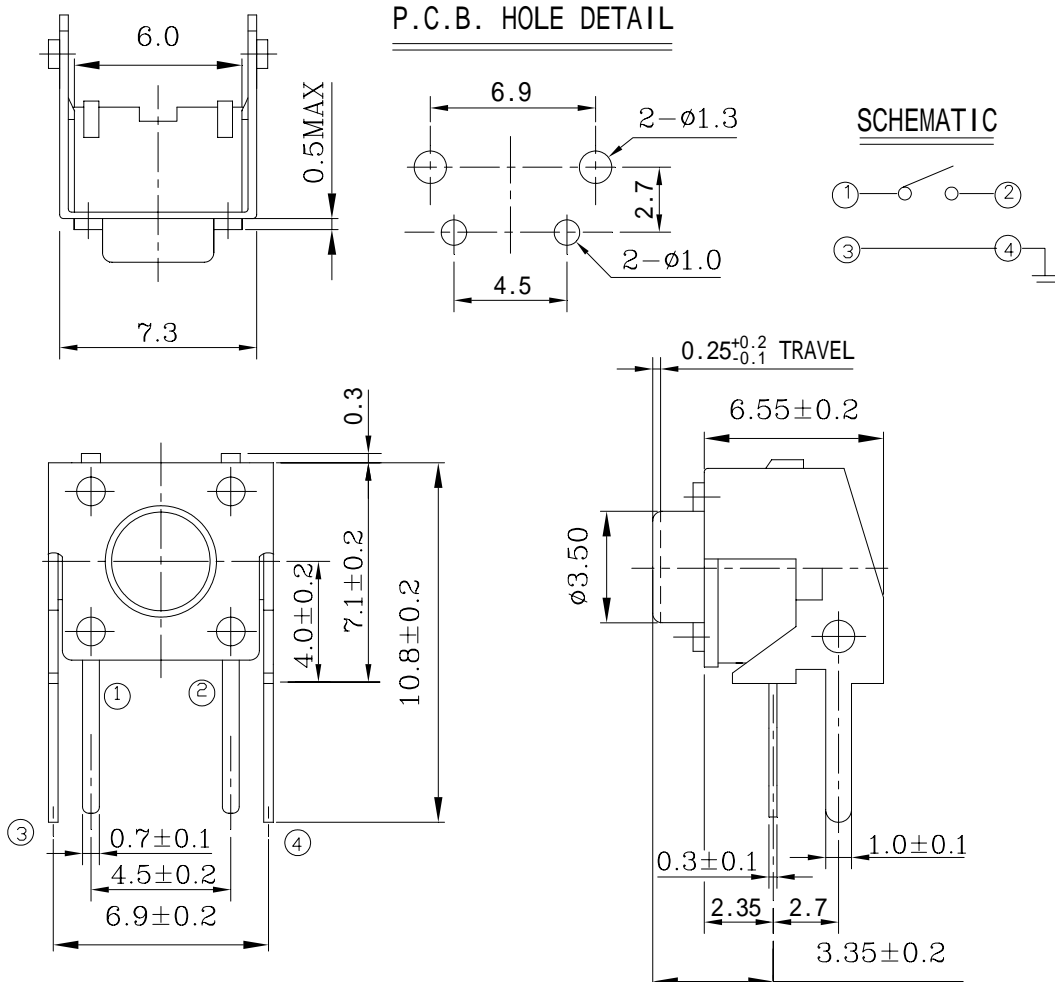
**TS Series TACT SWITCH**

**MATERIALS**



**TS-01PV6-\*\*\*-6-\***

**DIMENSION DRAWING**

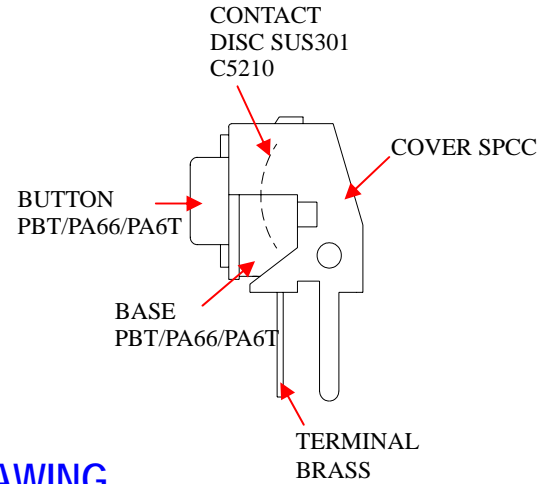
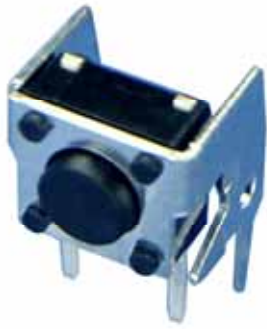


OF	70 ± 20	100 ± 40	130 ± 40	160 ± 50	170 ± 50	250 ± 60
----	---------	----------	----------	----------	----------	----------



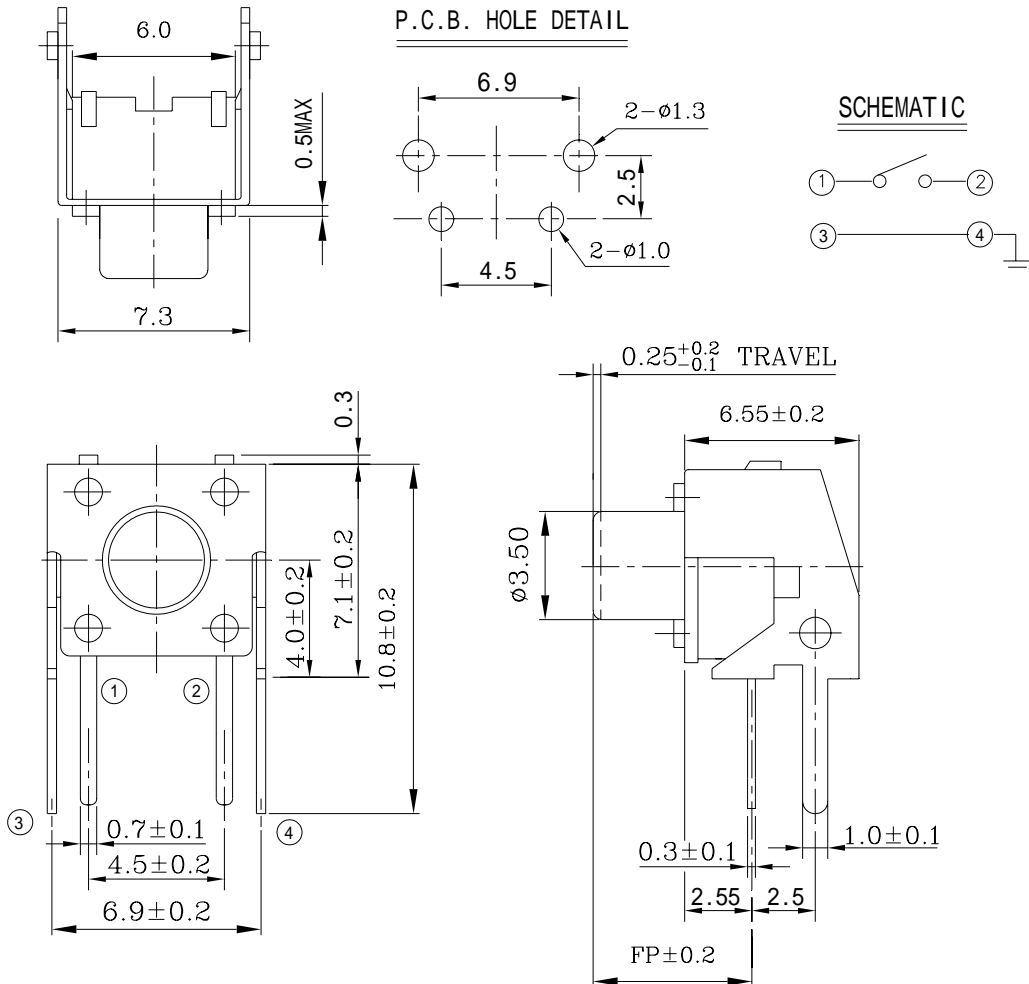
## TS Series TACT SWITCH

## MATERIALS



TS-\*\*PV6-\*\*\*-6-\*

## DIMENSION DRAWING



OF	70 ± 20	100 ± 40	130 ± 40	160 ± 50	170 ± 50	250 ± 60
----	---------	----------	----------	----------	----------	----------

PART NO.	TS-02PV6	TS-03PV6	TS-04PV6	TS-07PV6	TS-08PV6	TS-09PV6	TS-10PV6
FP	3.85	5.85	8.35	5.15	10.85	6.75	11.85