

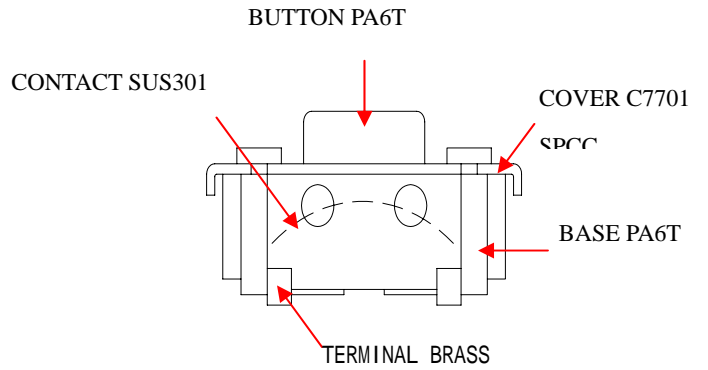


**TS Series TACT SWITCH**

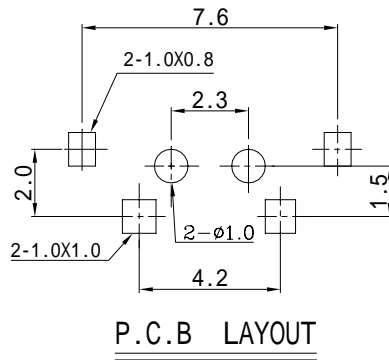
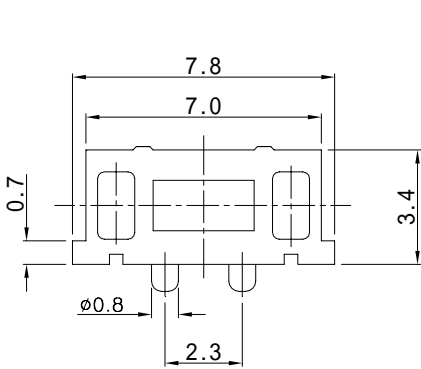
**MATERIALS**



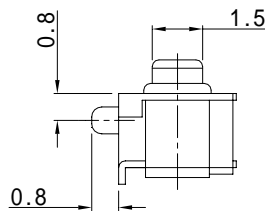
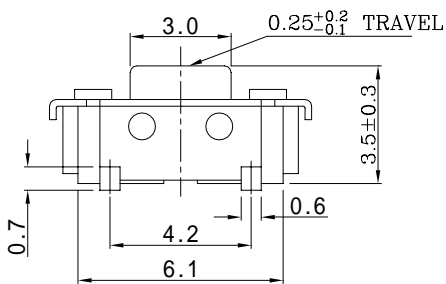
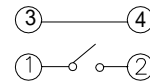
**TS015-01MVB**



**DIMENSION DRAWING**



**SCHEMATIC**



Part NO.	OF(gf)	FP(mm)
TS015-01MVB-130	130 ± 30	3.5
TS015-01MVB-180	180 ± 40	
TS015-01MVB-250	250 ± 50	
TS015-02MVB-130	130 ± 30	4.2
TS015-02MVB-180	180 ± 40	
TS015-02MVB-250	250 ± 50	