

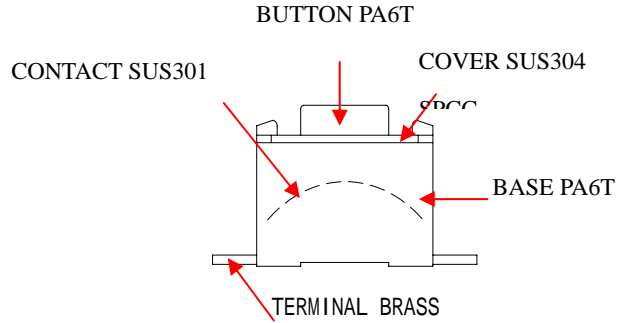


TS Series TACT SWITCH

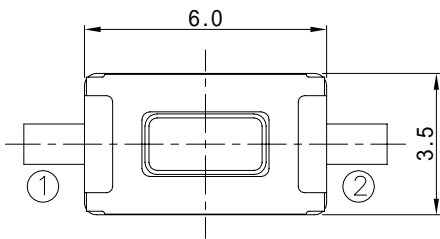
MATERIALS



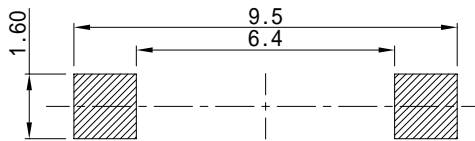
TS015L-01M



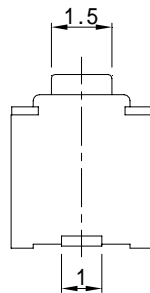
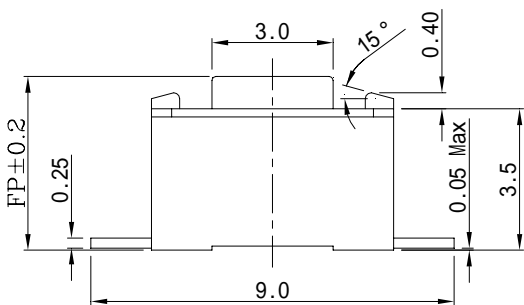
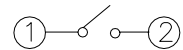
DIMENSION DRAWING



P.C.B. PATTERN DIMENSTONS



SCHMATIC



Part NO.	OF (gf)	FP (mm)
TS015L-01M-130	130 ± 30	4.3
TS015L-01M-180	180 ± 40	
TS015L-01M-250	250 ± 50	5.0
TS015L-02M-130	130 ± 30	
TS015L-02M-180	180 ± 40	
TS015L-02M-250	250 ± 50	