

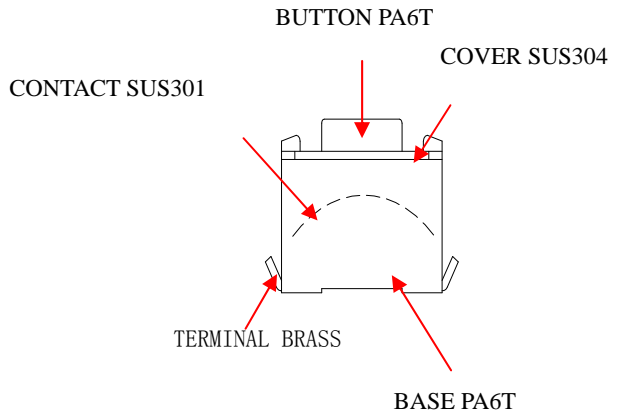


**TS Series TACT SWITCH**

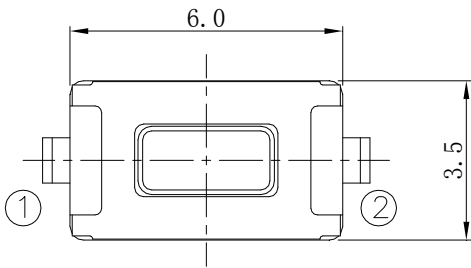
**MATERIALS**



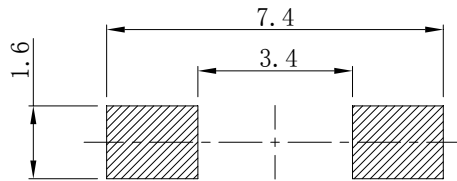
**TS015L-01M1**



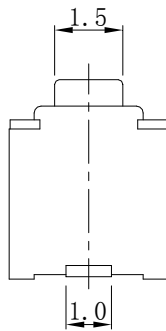
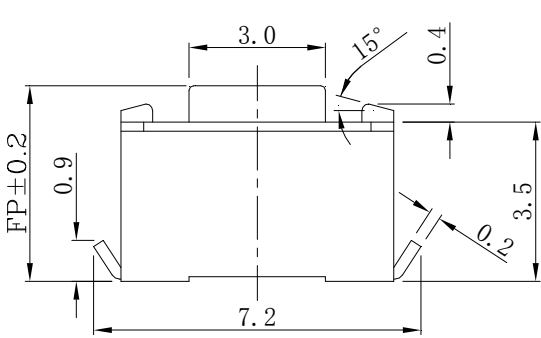
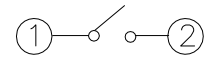
**DIMENSION DRAWING**



P. C. B. PATTERN DIMENSTONS



SCHEMATIC



Part NO.	OF <sub>(gf)</sub>	FP <sub>(mm)</sub>
TS015L-01M1-130	130 ± 30	4.3
TS015L-01M1-180	180 ± 40	
TS015L-01M1-250	250 ± 50	5.0
TS015L-02M1-130	130 ± 30	
TS015L-02M1-180	180 ± 40	
TS015L-02M1-250	250 ± 50	