

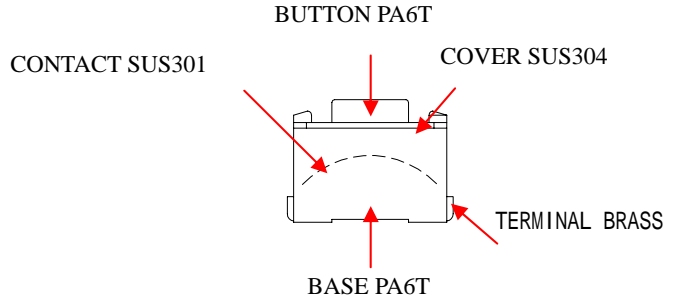


TS Series TACT SWITCH

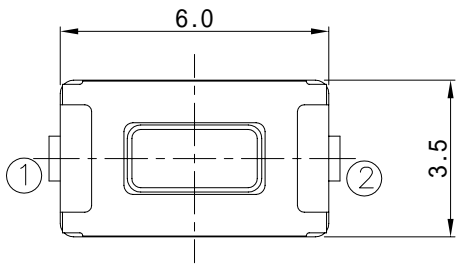
MATERIALS



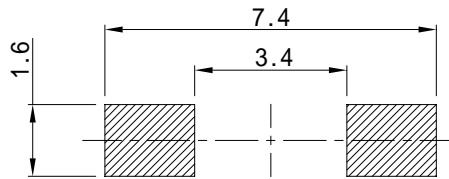
TS015L-01M2



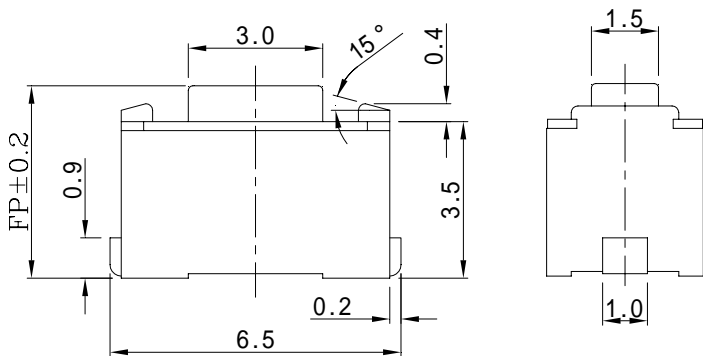
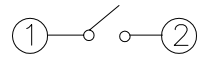
DIMENSION DRAWING



P.C.B. PATTERN DIMENSTONS



SCHEMATIC



Part NO.	OF _(gf)	FP _(mm)
TS015L-01M2-130	130 ± 30	4.3
TS015L-01M2-180	180 ± 40	
TS015L-01M2-250	250 ± 50	
TS015L-02M2-130	130 ± 30	5.0
TS015L-02M2-180	180 ± 40	
TS015L-02M2-250	250 ± 50	